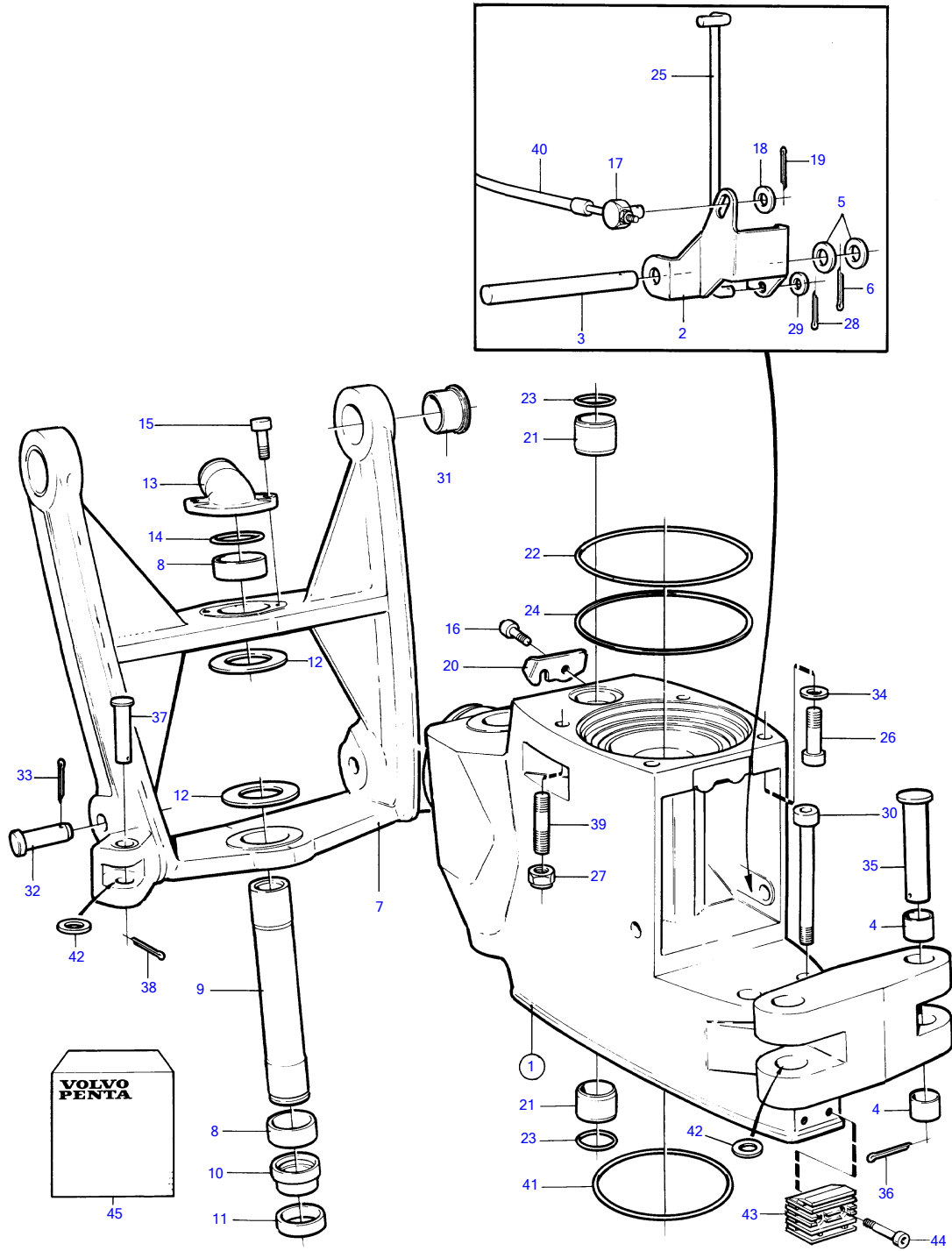


DPX



DPX

REF	PART NO.	QTY	DESCRIPTION	SEE SEC.	NOTES
1	872921	1	Intermediate housing		
2	872977	1	• Yoke		
3	897447	1	• Shaft		
4	873109	4	• Bearing bushing		
5	897511	2	• Washer		
6	17253	1	• Split pin		
7	(872539)	1	Fork		Obsolete part
8	872756	2	• Bearing bushing		
9	872753	1	Steering knuckle		
10	873534	1	Retainer		
11	872755	1	Sealing ring		Included in gasket kit.
12	872754	2	Thrust washer		
13	872752	1	Hose connection		
14	979254	1	O-ring		Included in gasket kit.
15	940169	2	Hexagon screw		
16	940168	2	Hexagon screw		
17	804312	1	Cube		
18	940191	2	Washer		
19	17276	1	Split pin		
20	872940	1	Cable attachment		
21	872986	2	Sleeve		
22	925259	1	O-ring		Included in gasket kit.
23	125017	2	O-ring		Included in gasket kit.
24	941826	X	Shim		TH=0.05mm
	941827	X	Shim		TH=0,20mm
	948230	X	Shim		TH=0.35mm
25	872822	1	Control rod		
26	959456	2	Hex. socket screw		
27	941885	2	Lock nut		
28	17253	1	Split pin		
29	940191	1	Washer		
30	941808	3	Hex. socket screw		
31	876507	1	Bushing kit		Included in gasket kit.
32	872126	2	Clevis pin		
33	967707	2	Split pin		
34	853095	2	Washer		
35	872970	2	Pin		
36	967707	2	Split pin		
37	872922	2	Pin		
38	979874	2	Split pin		
39	977241	2	Stud		Included in upper gear unit.
40		1	Control cable	231	
41	925256	1	O-ring		Included in gasket kit., Included in upper gear unit.
42	873352	4	Washer		
43	873395	1	Zinc electrode		
44	963684	2	Hex. socket screw		
45	876266	1	Gasket kit, upper gear		See group 99
	876639	1	Gasket kit, lower gear		See group 99

7734180-44-621

15165

Upd:2012-01-30

KAD42P-A, KAMD42P-A, DPX, HS1A, DP-D1, DP-E, DP-G